


Issued: March 2003

### Mounting and operating instructions

Product	DELTA profil	DELTA style
<b>Water Detector UP</b> 	pearl grey titanium white anthracite silver  5WG1 272-2AB01 5WG1 272-2AB11 5WG1 272-2AB21 5WG1 272-2AB71	titanium white  5WG1 272 2AB11
<b>Frame</b>	To be ordered separately from the DELTA range	
<b>Tier frame</b>	cut-out frames	—
<b>Bus coupling unit</b>	UP 110; UP 114; UP 115	

### Product and Applications Description

The water detector is destined to detect floor water in residential buildings. It consists of a flush mounted device to be plugged upon a water sensor which can be mounted near the ground.

The water detector is connected with a 2 meter terminal line and is connected with the flush mounted device of the water detector via a pawl plug. The terminal line can be prolonged up to 20 meters.

The detection of water is realised via two electrodes on the water sensor. If both electrodes have a conductive connection with water a warning alarm is sparked off according to the parameter settings in the application program.

The flush mounted device of the water detector is stuck upon the bus coupling unit UP (from version 1.2 onward) together with the matching frame and works only in connection with the bus coupling unit UP, i.e. the water detector (with bus coupling unit UP) consists of the device (hardware) and the application program (software).

The bus coupling unit UP and its frame are not included in the volume of delivery and must be ordered separately. For DELTA style a tier frame is required.

### Additional Informations

<http://www.siemens.de/gamma>

### Example of Operation



### Technical Specifications

The specifications apply for the flush mounted device and the water detector as far as there is no different specification

#### Connections

- flush mounted device:
  - 10 pin bar (PEI) for connection to the bus coupling unit (UP)
  - terminal socket for the pawl plug Ø 2,5 mm for connecting the water detector
- water detector:
  - 2 meter terminal line permanently connected with the water detector with pawl plug Ø 2,5 mm. The terminal line can be prolonged up to max. 20 m, not depending on the polarisation

#### Physical specifications

- flush mounted device:
  - dimensions (L x W x D): DELTA profil and DELTA style: 65 x 65 x 40 mm
  - weight: approx. 60 g
- water detector
  - length: 2000 mm
  - weight: approx. 45 g incl. wire and pawl plug
  - mounting (optional): near the ground

#### Electrical safety

- protection (according to IEC 529):
  - water detector: IP 20
  - water sensor: IP 64

#### Environmental specifications

- ambient temperature operating: - 5 ... + 45 °C
- ambient temperature non-op.: - 25 ... + 70 °C
- relative humidity (non-condensing): 5 % to 93 %

### Location and Function of the Display and Operator Elements

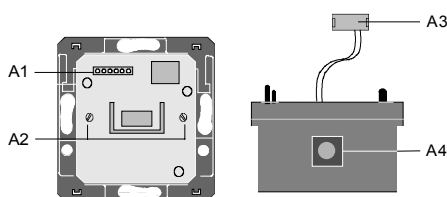


Diagram 1: basic module and supporting plate

- A1 6 pin bar
- A2 mounting screws
- A3 6 pin plug-in connector with socket bar
- A4 pawl socket Ø 2,5 mm

### Notes for Configuration

The configuration of the water detector happens during down-loading the application program. Therefore the sensor has to be connected with its genuine terminal line and must be dry.

### Mounting

- The device may be used for permanent interior installations in dry locations within box mounts (in combination with a bus coupling unit UP).
- The water detector can be used for permanent indoor mountings.

### WARNING

- The device must be mounted and commissioned by an authorised electrician.
- The device must not be installed in box mounts together with 230 V devices.
- The device may be mounted to switch and socket combination box mounts (in combination with a bus coupling unit UP) if VDE-certified devices are used and the mounting hanger is earthed exclusively.
- The water detector must not be deposited or mounted near a 230 V area.
- Due to the pulsating electric field when dipped in water the device is not suitable for use in aquariums.
- The water detector is not suitable for use in acid solutions.
- The water detector cannot detect distilled (or desalinated) water
- The prevailing safety rules must be heeded.
- For planning and construction of electric installations, the relevant guidelines, regulations and standards of the respective country are to be considered.

#### General description

The UP bus coupling unit is mounted into a flush-mount box (see installation instruction of the UP bus coupling unit).

The flush mounted device of the water detector is stuck upon the matching onto the bus coupling unit (UP)

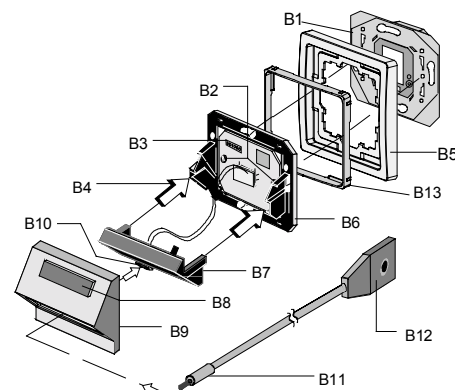


Diagram 2: mounting the flush mounted device with water detector

- B1 bus coupling unit UP
- B2 mounting screws basic module \*)
- B3 6 pin bar \*)
- B4 6 pin plug-in connector with socket bar \*)
- B5 frame
- B6 basic module \*)
- B7 supporting plate \*)
- B8 lettering label \*)
- B9 cover \*)
- B10 pawl socket \*)
- B11 pawl plug \*)
- B12 sensor body \*)
- B13 tier frame

\*) Scope of supply

### General Notes

- Any faulty devices should be returned to the local Siemens office.
- If you have further questions about the product, please contact our Technical Support:

☎ +49 (0) 180 50 50-222  
 ☎ +49 (0) 180 50 50-223  
 ✉ [adsupport@siemens.com](mailto:adsupport@siemens.com)