

NETx KNX IP Router

Router/interface between IP and KNX

Application area

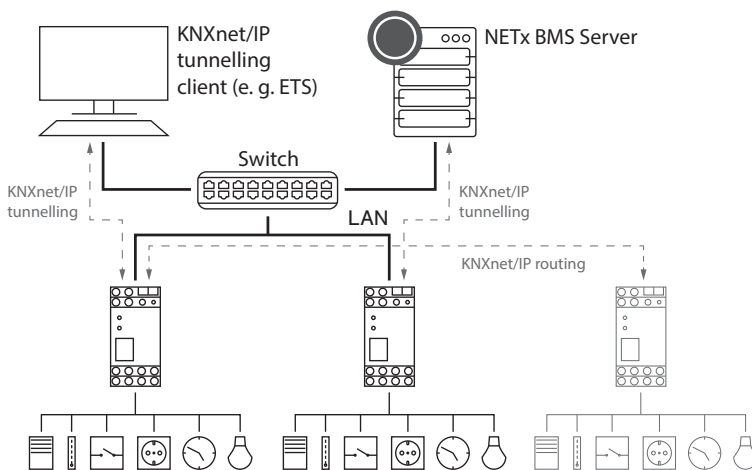
The KNXnet/IP router allows forwarding of telegrams between different KNX lines through an IP network.

In addition it can be used for connecting a PC (e.g. BMS server, visualization, ETS, ...) to the KNX network .

The IP address can be retrieved from a DHCP server or it can be configured manually (ETS).

This device works according to the KNXnet/IP specification using the parts core, device management, tunnelling and routing. The NETx KNX IP Router has a filter table and is able to buffer up to 150 telegrams.

Typical application



Technical data

Electrical safety

- Protection (EN 60529): IP 20
- Complies with EN 50491-3
- Safety extra low voltage SELV DC 24 V

EMC requirements

- Complies with EN 61000-6-2, EN 61000-6-3, EN 50491-5-1, EN 50491-5-2 and EN 50491-5-3

Environmental requirements

- Ambient temp. operating: - 5 ... + 45 °C
- Ambient temp. Non-op.: - 25 ... + 70 °C
- Rel. humidity (non-condensing): 5 % ... 93 %

Certification

- KNX

CE norm

- Complies with the EMC regulations (residential and functional buildings) and low voltage directive

Physical specifications

- Housing: Plastic
- DIN rail mounted device, width: 2 units
- Weight: approx. 100 g

Operating controls

- Programming button for KNX

Indicators

- Programming LED (red)
- Signal-LED (green) for KNX
- Signal-LED (green) for LAN

Ethernet

- 10BaseT (10Mbit/s)
- Supported Internet protocols ARP, ICMP, IGMP, UDP/IP, TCP/IP, DHCP and Auto IP
- Up to 5 KNXnet/IP tunneling conn. simultaneously

Power supply

- External supply 12-24 V AC / 12-30 V DC
- Alternative: "Power-over-Ethernet"
- Power consumption: < 800 mW

Connectors

- KNX connection terminal
- LAN RJ-45 socket
- Screw connector for power supply