

Power Supply Unit

NT640-4
NT320-4
NT160-4

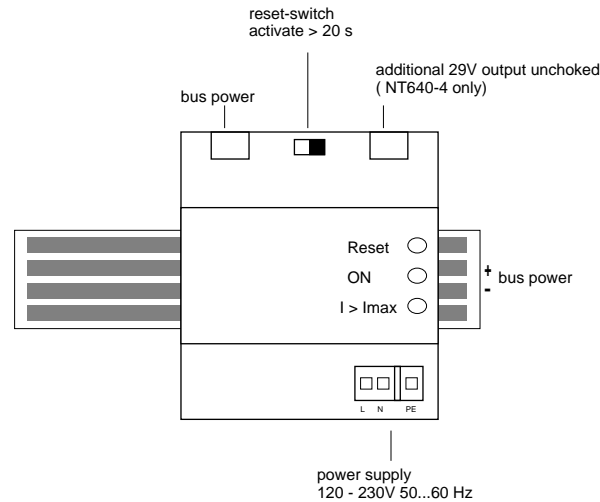
Description

The power supply unit generates the EIB power. The integrated choke decouples the busline from the power supply.

The NT640-4 power supply unit provides a second terminal for an unchoked output voltage of 29V DC. This must only be used to supply a busline which must be decoupled by a separate choke.

Technical Data

power supply	120 - 250V 50...60Hz
output voltage	29V DC EIB 640mA (NT640-4) 320mA (NT320-4) 160mA (NT160-4)
protection class	IP 20
dimensions	71 x 90 x 65 mm (4 RU*)
installation	35 mm DIN rail
operating temperature	-5 ... +45°C
	*RU = rail unit



Terminals

- the input voltage is connected to three screwless terminals as indicated
- terminal cross section: 0.5 - 2.5 mm²
- stripping length: 9 - 10 mm
- conductors permitted:
 - single core
 - multi-filar, bare-wire
 - multi-filar, with gas-proof crimped pin terminal
- busline: pressure contacts on data rail or with red-black bus terminal
- additional 29V output voltage, unchoked, via white-yellow terminal (NT640-4 only)

Warnings

- The device must only be installed and configured by a qualified professional!
- Health and safety regulations have to be complied with!
- Do not open the device!
- A faulty device must be returned immediately to Lingg & Janke OHG!

Configuration

Before connecting the device to the mains, all connections have to be checked for correct installation (shock protection).

The LEDs indicate the operating status of the device.

- LED red I > I_{max} overcurrent/excessive load
- LED green ON in operation
- LED red reset short circuit on busline or reset button was operated

Installation

The device is mounted on a DIN rail, DIN EN 60715 TH35

To mount the device on the rail, slide the locating hook at the bottom downwards with a screwdriver. Click the device onto the rail and let the locating hook slide back up.

To take the device of the rail, proceed in reverse.

To connect the conductors to the screwless terminals, press down the spring-clip button and insert the wire. Release the button and the wire is held in place by the spring-clip.

When installing the device via the bus terminal, cover the contacts to the data rail by taking-off the spacer and clicking-on the insulation cap which is supplied with the device. This ensures sufficient insulation towards the DIN rail.

Lingg & Janke OHG
 Zeppelinstraße 30
 78315 RADOLFZELL
 GERMANY

technical support:
 tel. (+49) 7732 - 94557-71
 www.lingg-janke.de