

INTERRA IR EMITTER



Product Code	ITR420-0001
Power Supply	EIB Power Supply
Current Consumption	< 15 mA
Power Consumption	< 450 mw
Current Detection	< 2 A
Transmitting wave frequency	38 KHz
Emitting Distance	7 m
Type of Protection	IP 20
Temperature Range	Operation (-5°C...45°C) Storage (-20°C...60°C)
Maximum Air Humidity	< 90 RH
Weight	60 g
Color	Light Grey and White
Dimensions	45 x 45 x 16 mm (H x W x D)
Certification	KNX Certified
Configuration	Configuration with ETS

DESCRIPTION

ITR420-0001 The Interra IR Emitter is a multifunctional IR transmitter and it has five functions : Single mode, repeat mode, sequence mode, air-condition control and current detection. The device has 150 universal IR codes at most and 810 AC IR codes at most. Also, it has 4 emitting interfaces A, B, C and D. The Interra IR Emitter is used to control electronic devices such as TV, DVD, Air-Conditioner and other devices can be controlled by IR. Interra products are manufactured in accordance with EU standard for EMC, electrical safety compatibility.

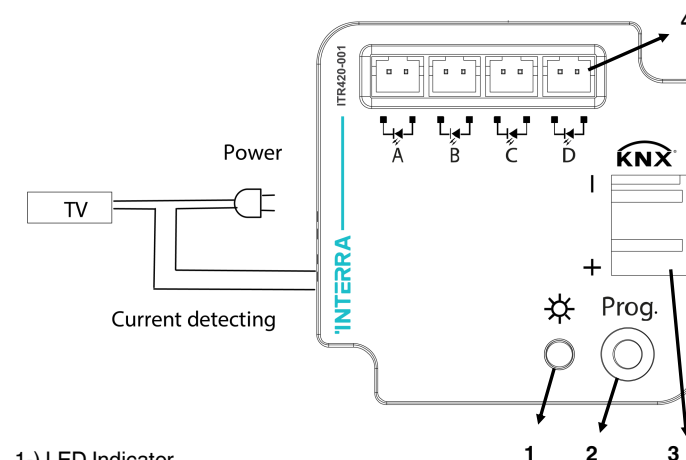
FUNCTIONS

- The universal IR codes control TV, DVD and other devices which can be controlled by IR
- The AC IR codes are used for controlling AC devices of any brand.
- Interra IR Emitter supports current detection with current up to 2 A.
- The device has several AC control types: Fan speed control, swing control, Cooling/Heating, Temperature control, ON/OFF control.
- After learned, obtained and downloaded the infrared codes through infrared learning page of KNX Assistant Software and IR Learner, the Infrared Emitter can control TV, DVD, air conditioner etc.
- Single mode: System emits one universal IR code and the emitting channel is one channel and multichannel.
- Repeat mode: System emits one universal IR code several times repeatedly and the emitting channel is one channel and multichannel.
- Sequence mode: System emits several universal IR code sequent at one time, but the emitting channel is one channel.
- Air-condition mode: System control air-condition specially, and the emitting channel is one channel.
- Current detection: System detects the current of equipments running.

SAFETY INSTRUCTIONS

- Special Programming – This device is designed for professional KNX installation. It can only be programmed by ETS software.
- Cable Connections – Do not get wrong connection for Black and Red wires.
- Voltage - The bus voltage must be between 21-30 V DC.
- Mounting Location – To avoid installed near the air-conditioning vent and forbid to install near large area of metal objects.
- Screw down torque is less than 0.8 Nm.
- The IR emission tube should be placed close to the Interra IR Emitter.
- The Interra IR Emitter should be installed close to the power switch when using the current detection. Do not forget to pay attention for safe using.

LAYOUT AND WIRINGS



- 1-) LED Indicator
- 2-) Programming Button
- 3-) KNX Interface
- 4-) IR Emission Channels