

## LUXOMAT® PD2-M-DIM-SM/-FC/-FM



SM



FC



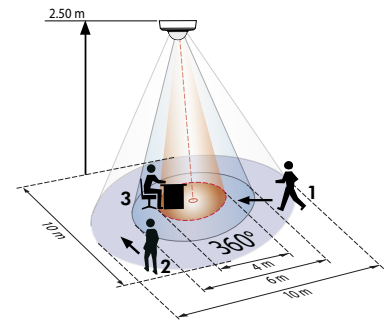
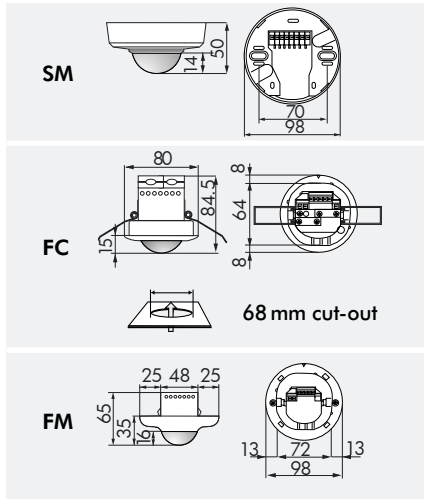
FM

### TECHNICAL DATA

- 230V~ ±10%
- 360°  
seated Ø 4.00 m  
across Ø 10.00 m  
towards Ø 6.00 m
- SM/FC/FM = IP20 / Class II / C€
- SM** Ø 98 x H 50 mm  
**FC** Ø 80 x H 84.5 mm  
**FM** Ø 98 x H 65 mm
- 25°C to +50°C
- Housing UV- and shock-resistant Polycarbonate
- IR-PDim, IR-PD-DIM-Mini
- Channel 1 (Control the lighting)**
- 2300 W, cosφ = 1;  
1150 VA, cosφ = 0.5
- 1 min. - 30 min. or impulse
- 10 - 2000 Lux
- 1-10 VDC, max. 50 EB's

### PRODUCT INFORMATION

- An easy and cost effective way to realize a **constant light control**
- Remote controllable occupancy detector for inside use LUXOMAT® PD2-M-DIM as dim version for surface, false ceiling and flush mounting with circular detection area
- One channel to switch the lighting
- 1 dim output with 1-10 VDC interface to control electronic ballasts
- The connection of a unlimited number of slaves for reasonable extension is possible!
- Function full automatic or semi automatic mode, dimming and switching with the optional infrared remote control
- **Typical applications:** offices, conference rooms, schools, nursery schools, hospitals etc.



- 1 ■ Walking towards
- 2 ■ Walking across
- 3 ■ Seated activity

### ACCESSORY (OPTIONAL)

IR-PDim



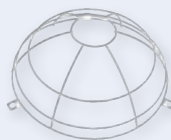
(to order separately)

IR-PD-DIM-Mini



(to order separately)

Wire basket



Covering IP23



Socket IP54



Blinds



Slaves



PD2-S

Description	Colour	Part number
PD2-M-DIM-SM	white	92153
PD2-M-DIM-FC	white	92167
PD2-M-DIM-FM	white	92157
<b>Accessory (optional)</b>		
LUXOMAT® IR-PDim	grey	92200
LUXOMAT® IR-PD-DIM-Mini	grey	92098
Wire basket BSK	white	92199
Socket IP54 for PD2-SM	white	92161
Covering IP23	transparent	92206